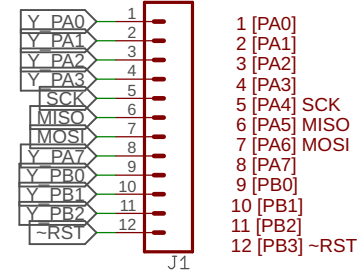
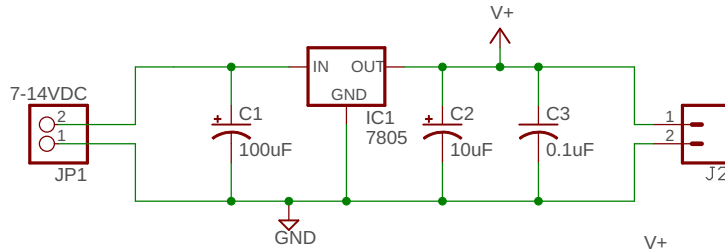
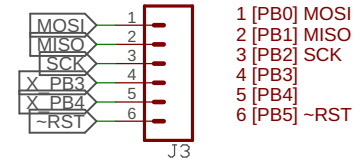
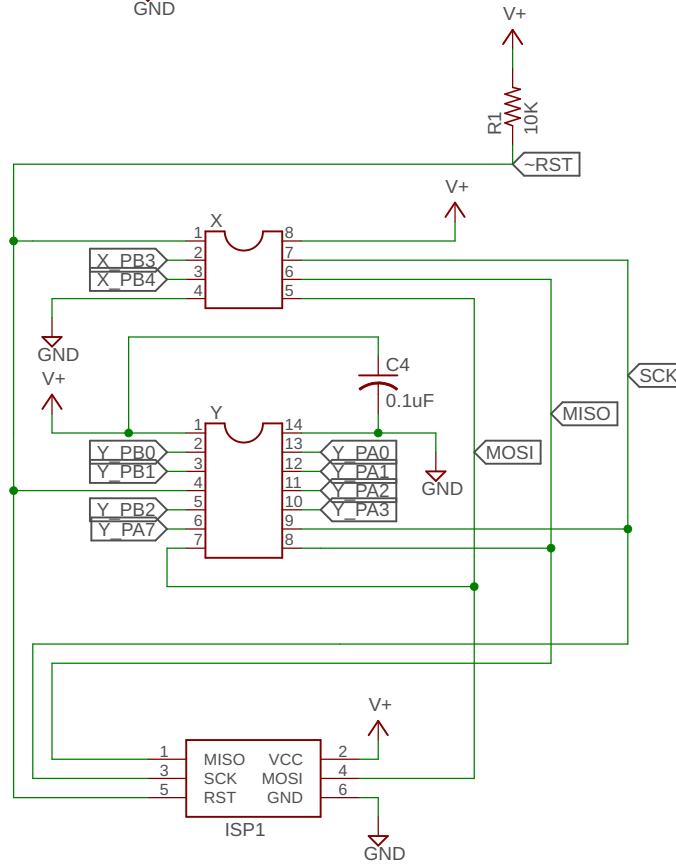


see [https://arduino.pinout.guide/]



ATtiny85
 1 PB5 ~RST
 2 PB3
 3 PB4
 4 GND
 5 PB0 MOSI
 6 PB1 MISO
 7 PB2 SCK
 8 Vcc

ATtiny 14-pin
 1 Vcc
 2 PB0
 3 PB1
 4 PB3 ~RST
 5 PB2
 6 PA7
 7 PA6 MOSI
 8 PA5 MISO
 9 PA4 SCK
 10 PA3
 11 PA2
 12 PA1
 13 PA0
 14 GND



Author: Charles B. Malloch, PhD 2019-02-26

TITLE: ATtiny_dev_board

Document Number:

REV:
1.0

Date: 2019-03-9 9:54 PM

Sheet: 1/1